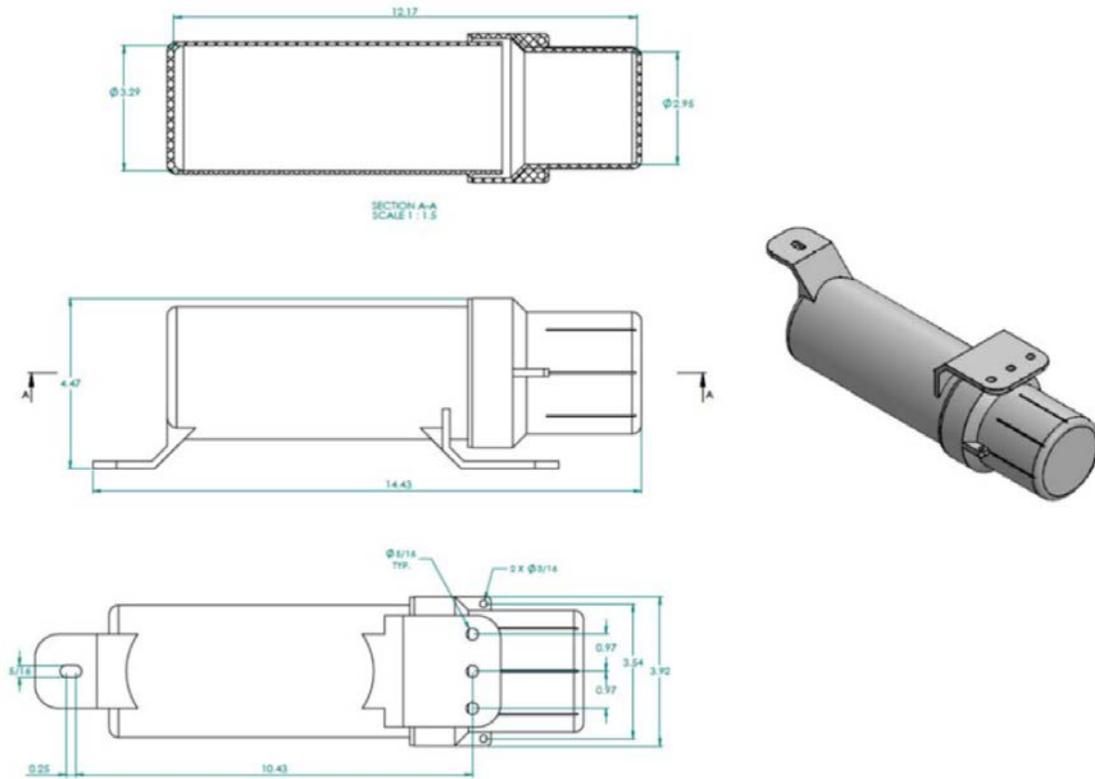


Protector case

CAN-35



Manual canister molded from high density plastic. With its screw cap and a neoprene seal this high resistant canister protects your documents from damages caused by rain, sun, dust or wind. Each canister is identified by a bright yellow Safety Pictographs.

You can also lock the case with the hole designed for this purpose. The mounting holes help an easy and quick installation.

Great for operator manual, agricultural machinery documents or factory equipment.

Can also be used on outdoor vehicles as moto, boat, golf carts and ATVs to store tools, documents and many more.

Ideal for documents	Letter, A4 8.5 inches x 11 inches
External dimensions	Length: 12.51 inches Diameter : 3.49 inches
Internal dimensions	Length: 12.17 inches Diameter : 3.29 inches
Mounting holes	4 holes Diameter : 5/16 inches
Closing	Screw cap with a neoprene seal 2 locking holes, with diameter of 3/16 inches
Others characteristics	High Density Plastic Weather and UV resistant
Weight and standard packaging	Unit weight: 0.66 pounds Standard Packaging: 25 pieces per box: 24 in. X 16 in. X 16 in. 18.61 pounds.