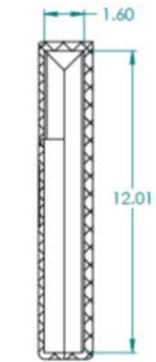
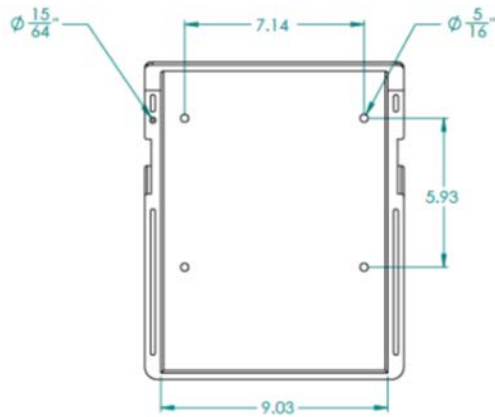
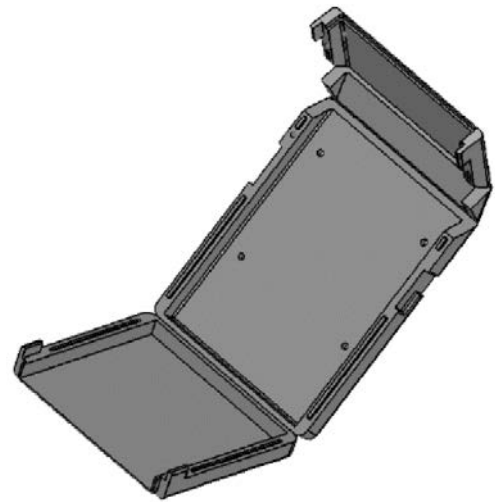
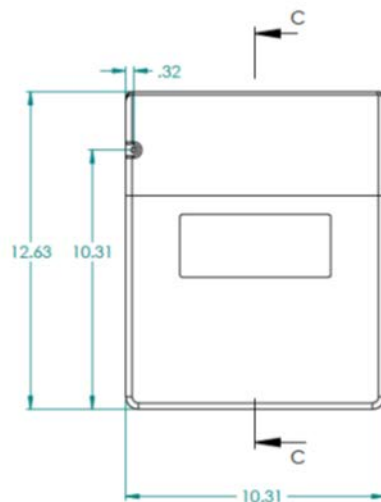


Protector case

CPK-11X85



SECTION C-C
SCALE 1 : 4



Flat style manual holder CPK-11X85. Made of high density plastic, this highly resistant double wall case protects your documents from damages caused by rain, sun, dust or wind.

Two integrated clamps allow to tightly close the canister. You can also lock the case with the 1/4 in. hole designed for this purpose. The mounting holes help an easy and quick installation.

Great for agricultural machinery or factory equipment.

Ideal for documents	Letter, A4 8.5 inches x 11 inches
External dimensions	Higher: 14.5 inches Wide: 11.125 inches Thickness : 2 inches
Internal dimensions	Higher: 12 inches Wide: 9.25 inches Thickness: 1.5 inches
Mounting holes	4 holes Diameter : 3/16 inches
Closing	Two pressure locking clips. 1 locking hole, diameter 1/4 inches
Others characteristics	High Density Plastic Surface intended for logo and tag Weather and UV resistant
Weight and standard packaging	Unit weight: 1.67 pounds Standard Packaging: 28 pieces per box: 26 in X 22 in X 17 in 51.1 pounds.