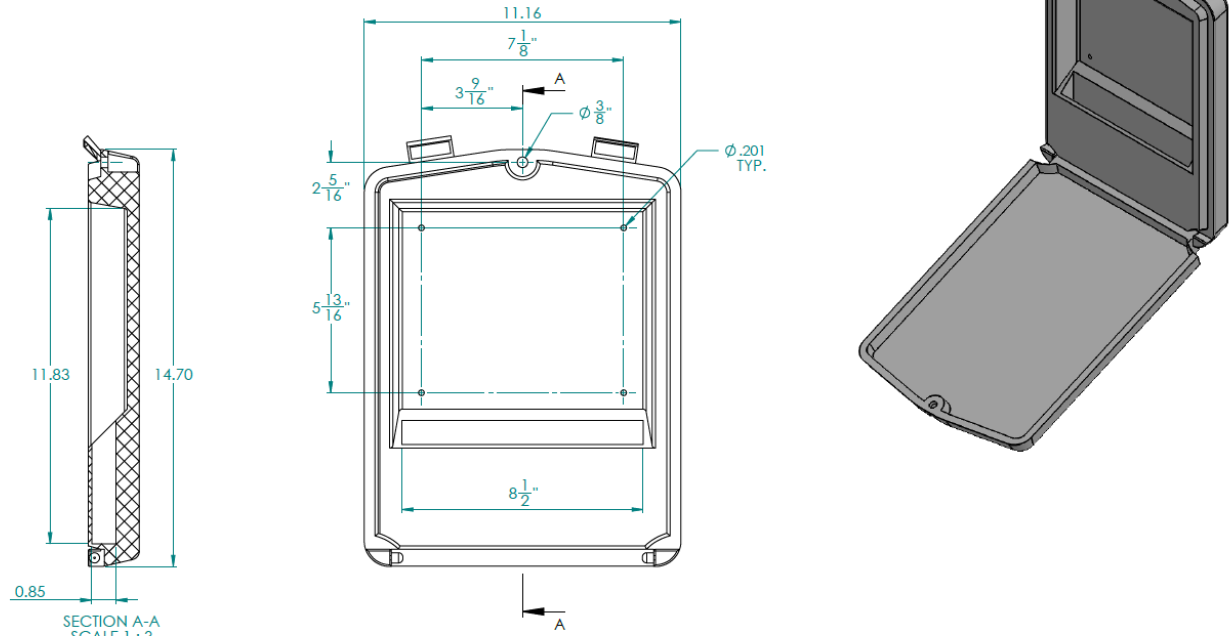


Protector case CPKHD-11X85



Very resistant protective case, flat style CPKHD-11X85. Made from high density plastic resin and provided with a seal, this heavy duty double-walled housing protects your documents from damage that may be caused by humidity, rain, sun, dust and wind.

The frontal opening system allows easy access to documents and two integrated attaches allow to firmly close the housing. It is also possible to lock the case with a padlock by a hole of 1/4 inches provided for this purpose. The mounting holes allow easy and quick installation.

Ideal for operator manual and agricultural machinery documents and factory equipment.

Ideal for documents	Letter, A4 8.5 inches x 11 inches
External dimensions	Higher: 14.5 inches Wide: 11 inches Thickness : 2.125 inches
Internal dimensions	Higher: 12.25 inches Wide: 9.625 inches Thickness: 0.844 inch
Mounting holes	4 holes Diameter : 3/16 inches
Closing	Two pressure locking clips. 1 locking hole, diameter 1/4 inches
Others characteristics	Neoprene seal High Density Plastic Surface intended for logo and tag Weather and UV resistant
Weight and standard packaging	Unit weight: 3.73 pounds Standard Packaging: 00 pieces per box: 15 in X 24 in X 12 in 37.3 pounds.